

Technical data sheet



Product features

Food display island heated, glass ceramic GN 4-1/1 RAL

Model	SAP Code	00012152
--------------	-----------------	----------



- Buffet type: BROWN - heated, glass-ceramic
- Device properties: Warmed
- Number of GN / EN: 4
- GN / EN size in device: GN 1/1
- Minimum device temperature [°C]: 60
- Maximum device temperature [°C]: 100

SAP Code	00012152	Loading	230 V / 1N - 50 Hz
Net Width [mm]	1494	Number of GN / EN	4
Net Depth [mm]	650	GN / EN size in device	GN 1/1
Net Height [mm]	1288	Minimum device temperature [°C]	60
Net Weight [kg]	89.00	Maximum device temperature [°C]	100
Power electric [kW]	1.140		

Technical data sheet



Technical drawing

Food display island heated, glass ceramic GN 4-1/1 RAL

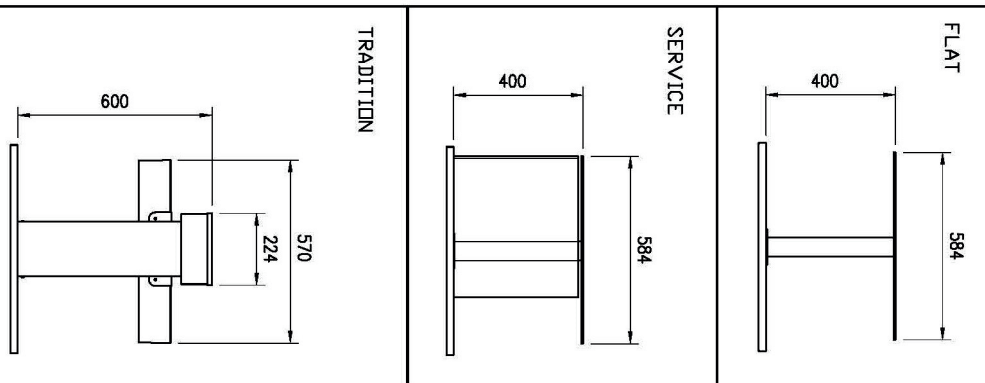
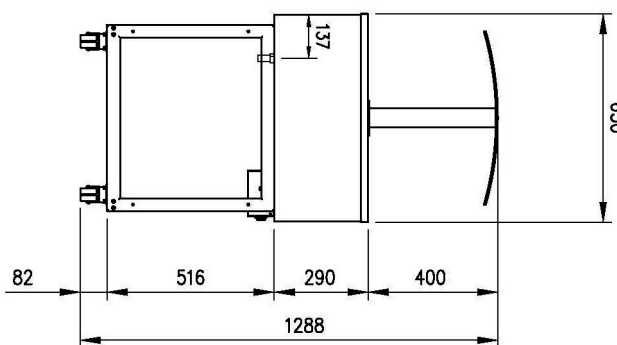
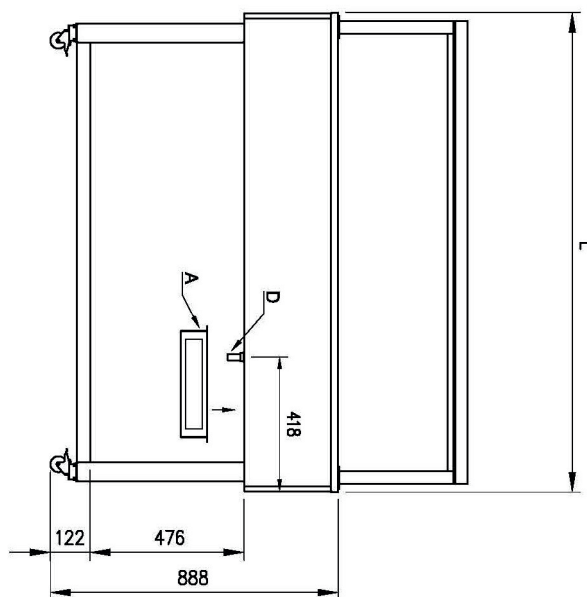
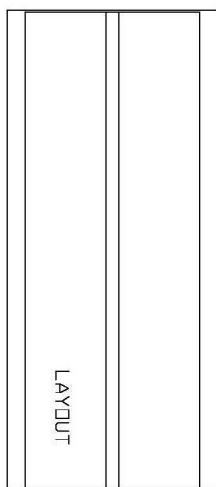
Model

SAP Code

00012152

A = ELECTRICAL CONNECTION
D = WATER DISCHARGE Ø14

GN	L
3/1	1169
4/1	1494
6/1	2144



Technical data sheet



Product benefits

Food display island heated, glass ceramic GN 4-1/1 RAL

Model

SAP Code

00012152

1

Glass ceramic plate

- smooth hard surface
endurance
- easy maintenance
 - long service life

2

No press

- without sharp edges and corners
- higher hygienic safety
 - time saving due to easy cleaning

3

All-stainless steel construction

- harmless to health for contact with food
robustness
- long service life
 - very easy to clean

4

Halogen lighting

- heating from above
- more even heating of food
 - greater hygienic safety

5

Travel wheels

- portable buffet table
- greater flexibility in dispensing
 - possibility of use at banquets
 - easier and safer handling

6

Breath galley

- galerka made of hygienic pexiglass with infrared heating
- hygienic food protection
 - heating and lighting of food from above

Technical data sheet



Technical parameters

Food display island heated, glass ceramic GN 4-1/1 RAL

Model

SAP Code

00012152

1. SAP Code:

00012152

2. Net Width [mm]:

1494

3. Net Depth [mm]:

650

4. Net Height [mm]:

1288

5. Net Weight [kg]:

89.00

6. Gross Width [mm]:

1530

7. Gross depth [mm]:

730

8. Gross Height [mm]:

1100

9. Gross Weight [kg]:

103.20

10. Device type:

Electric unit

11. Buffet type:

BROWN - heated, glass-ceramic

12. Device properties:

Warmed

13. Exterior color of the device:

Hemlock

14. Power electric [kW]:

1.140

15. Loading:

230 V / 1N - 50 Hz

16. Number of GN / EN:

4

17. GN / EN size in device:

GN 1/1

18. Minimum device temperature [°C]:

60

19. Maximum device temperature [°C]:

100